

7.1.3: Facilities in the Institution for the management of the following types of degradable and non-degradable waste

Following facilities have been established by the University for management of Degradable and Non-degradable waste

Sr. No.	Type of Waste	Response
1	Solid waste management	Pictures of solid waste management facilities, food waste to biogas plant, recycle waste bins and vermi compost
2	Liquid waste management	Pictures of STP Plant
3	Biomedical waste management	Agreement of Bio-medical waste collection
4	e-waste management	Donation of electronic equipments to needy organizations. Tie-up for e-waste collection from the University.
5	Waste recycling system	STP Plant
6	Hazardous chemicals and radioactive waste management	Pictures of Fume Hood. Banned/radioactive chemicals are not used at the University


Registrar
Marwadi University







GPS Map Camera



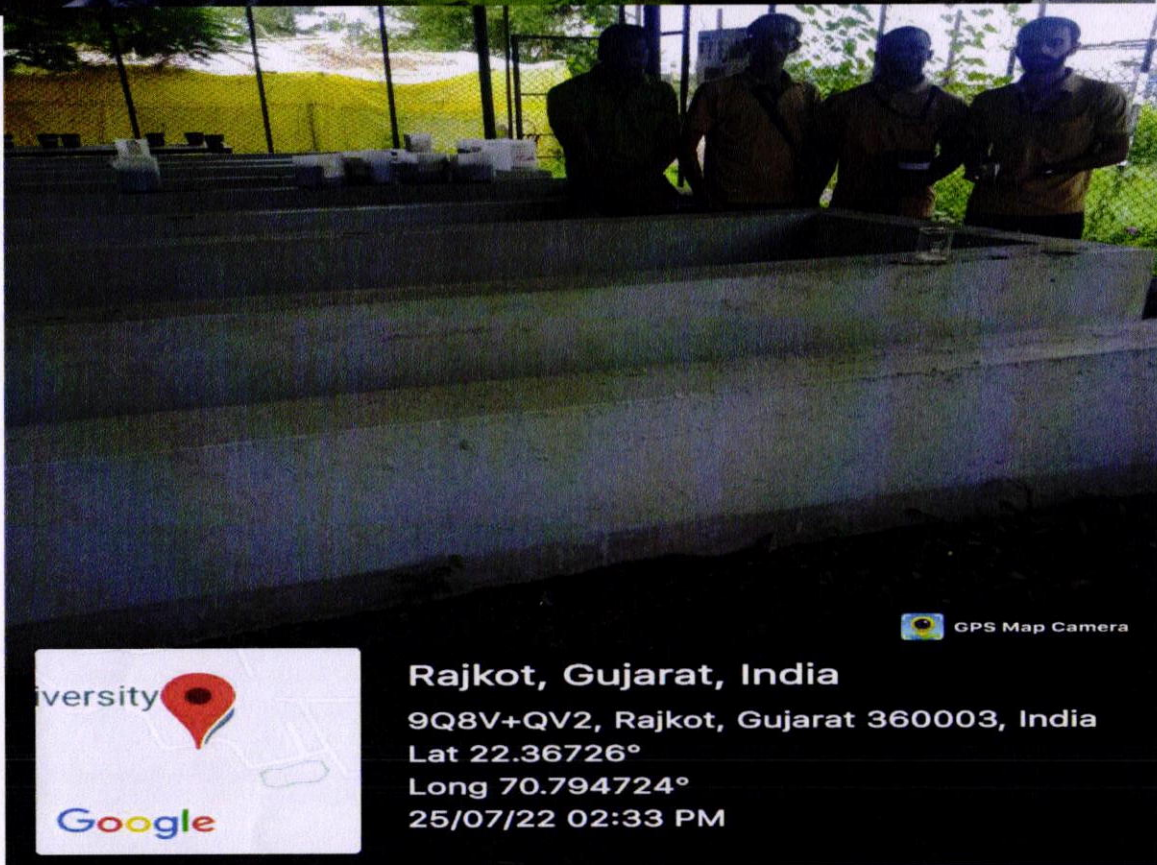
Rajkot, Gujarat, India

9Q8V+QV2, Rajkot, Gujarat 360003, India

Lat 22.367255°

Long 70.79472°

25/07/22 02:39 PM



GPS Map Camera



Rajkot, Gujarat, India

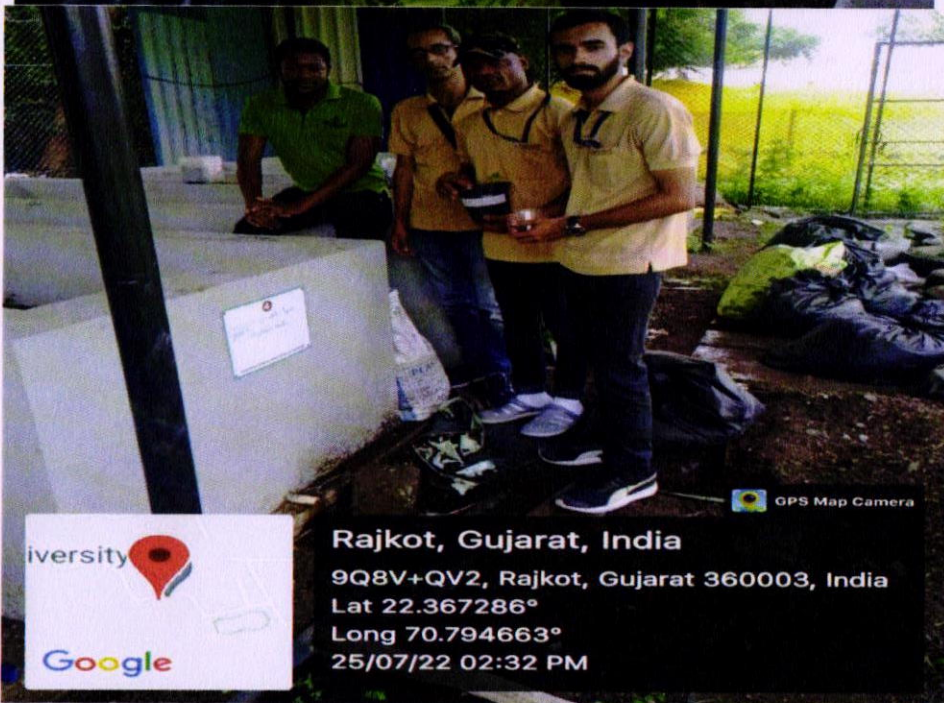
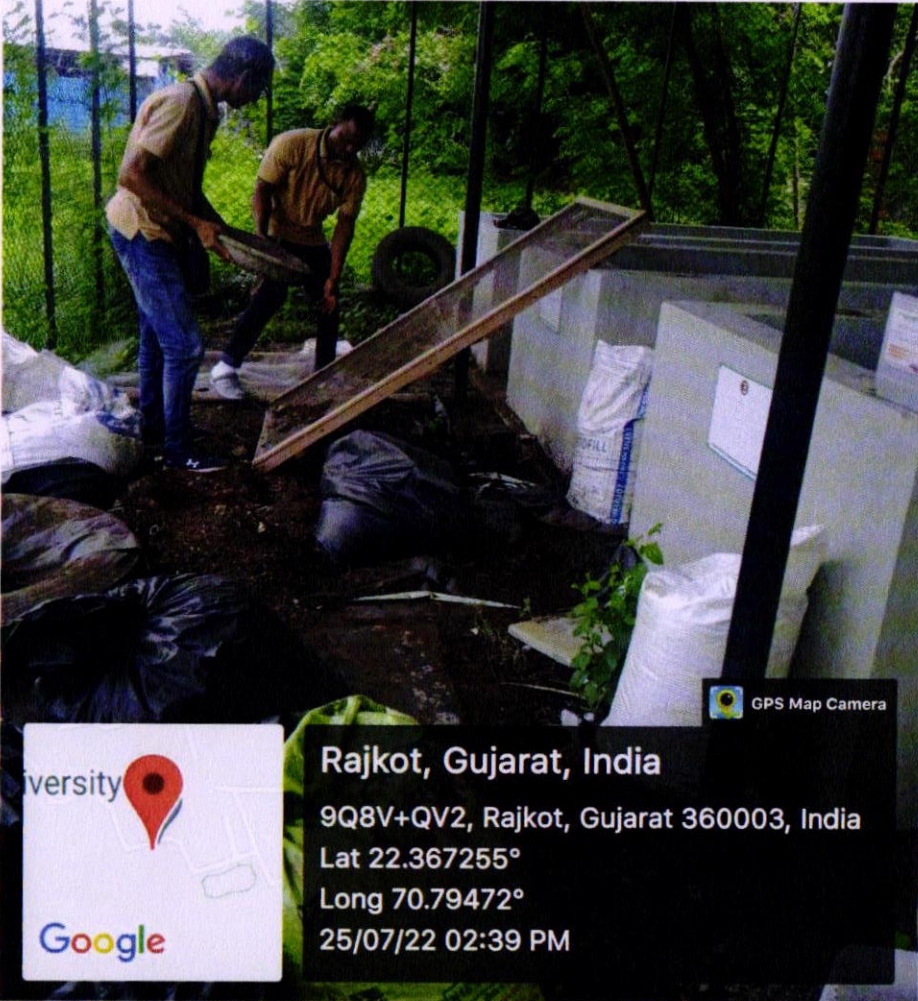
9Q8V+QV2, Rajkot, Gujarat 360003, India

Lat 22.36726°

Long 70.794724°

25/07/22 02:33 PM





Waste Collection System

Colour coded dustbins are installed. Three separate dustbins, near each block for disposal of different types of wastes. All the segregated wastes are dumped in the particular dustbins of green, blue, yellow colour.

1. The wet and biodegradable wastes are dumped in green dustbin. For e.g.: kitchen wastes including vegetables and fruits skins.
2. Disposal of plastic wrappers and non-biodegradable wastes are meant for blue coloured dustbin.
3. Papers and glass bottles are disposed in yellow dustbins
4. Cleaning or emptying of the dustbins is being done on a regular basis at an allocated time.



Fig 1 A& B: Wet waste and Dry waste dustbins



Fig.1C & D: The colour coded dustbins in the campus for waste management





Fig. 1E: The installation of waste bins at the University campus site

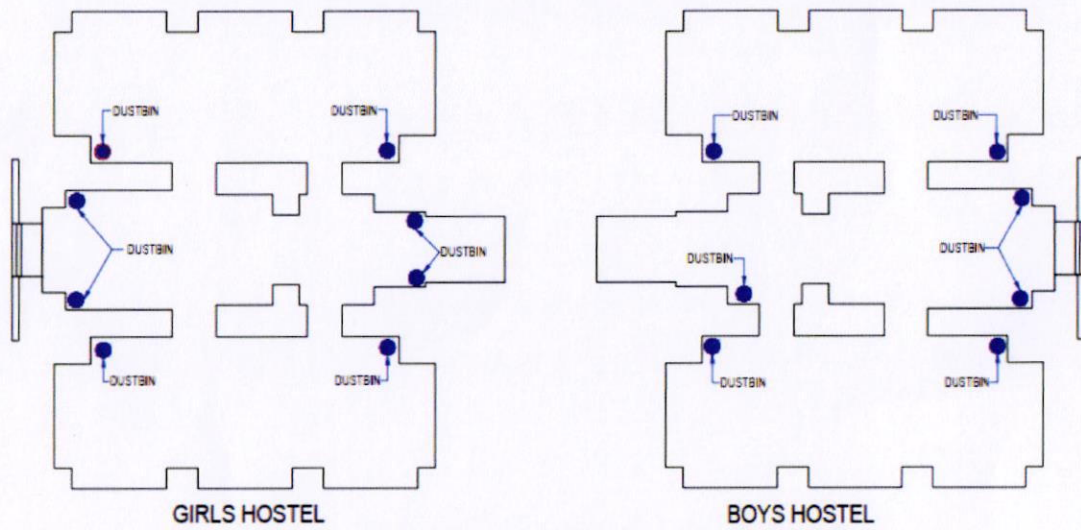


Fig. 1F: The installation of dustbins at the Hestel A & B



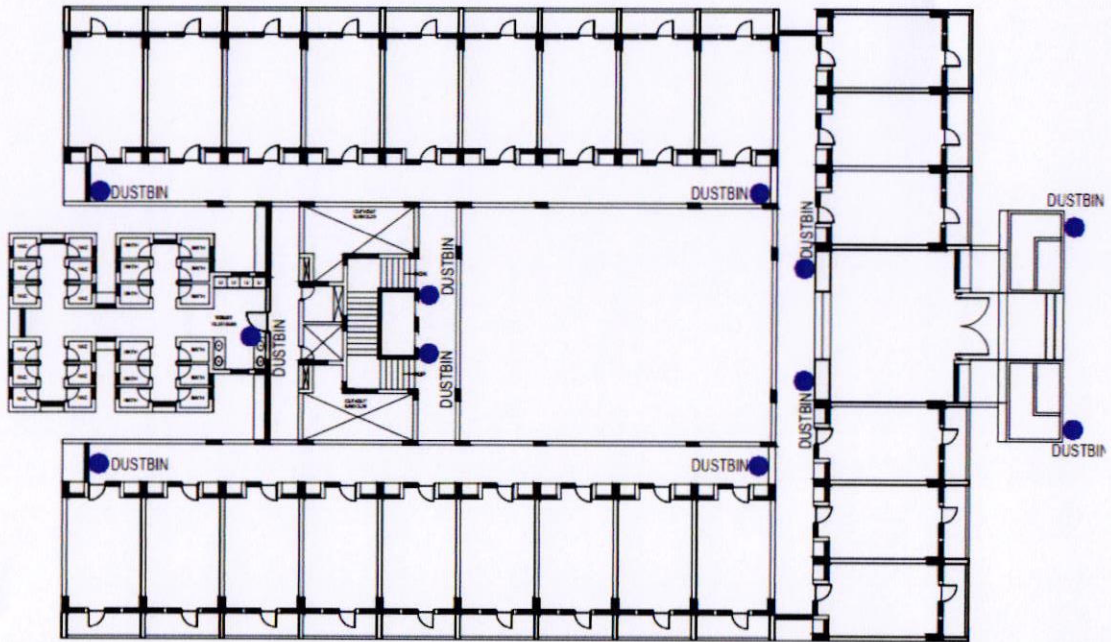


Fig. 1G: The installation of dustbins at the Hostel C

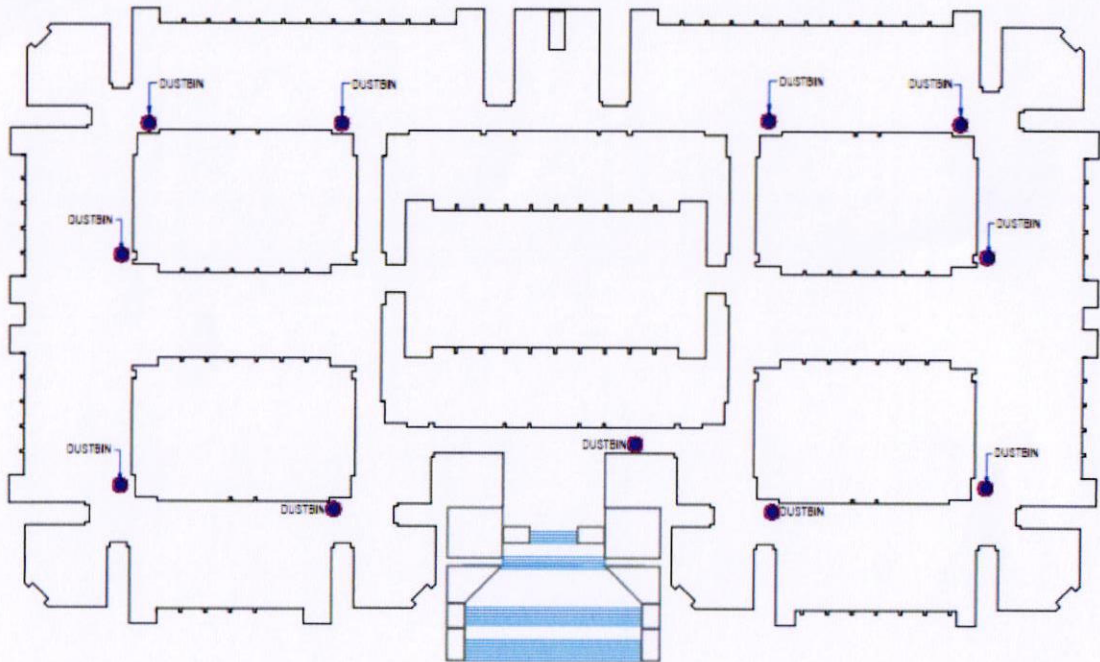


Fig. 1H: The installation of dustbins at Main Building





Fig.2: Central Waste Collection Yard





Fig. 2&3: Pipeline for sewage water





Fig. 4: Pumps for the sewage pipes



Fig. 5: Bioreactors installed in university



7.1.1 - Hazardous chemicals and radioactive waste management

Geo-Tagged Photo – Fume Hood

